

## Instruction Sheet: Blocking Diodes

**Part Number:** AQ08300/AQ08301  
**Description:** ECODRIVE Blocking Diodes  
**Compatibility:** ECODRIVE 8000  
**Kit Includes:** 1x Blocking Diode Module  
 1x Solar MC4 in-line Male connector  
 1x Solar MC4 in-line Female connector

**Summary:**

A ZENER blocking diode must be installed on each string when operating the ZENER ECODRIVE with an auxiliary AC supply. These instructions must be read in conjunction with the ECODRIVE Supplement manual.

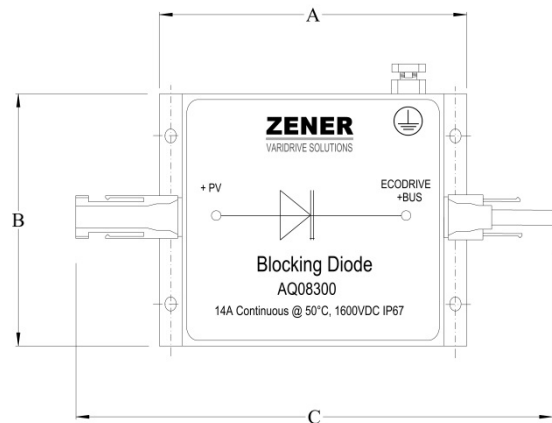
Blocking diodes may also be installed on a solar only installation to provide improved array performance.

It is a requirement that all connections must be made using the same brand of connectors. This kit includes in-line connectors. More information on the connectors used and 'how to terminate' can be found on the Zener website: [www.zener.com.au/support-8E](http://www.zener.com.au/support-8E)

**Specification:**

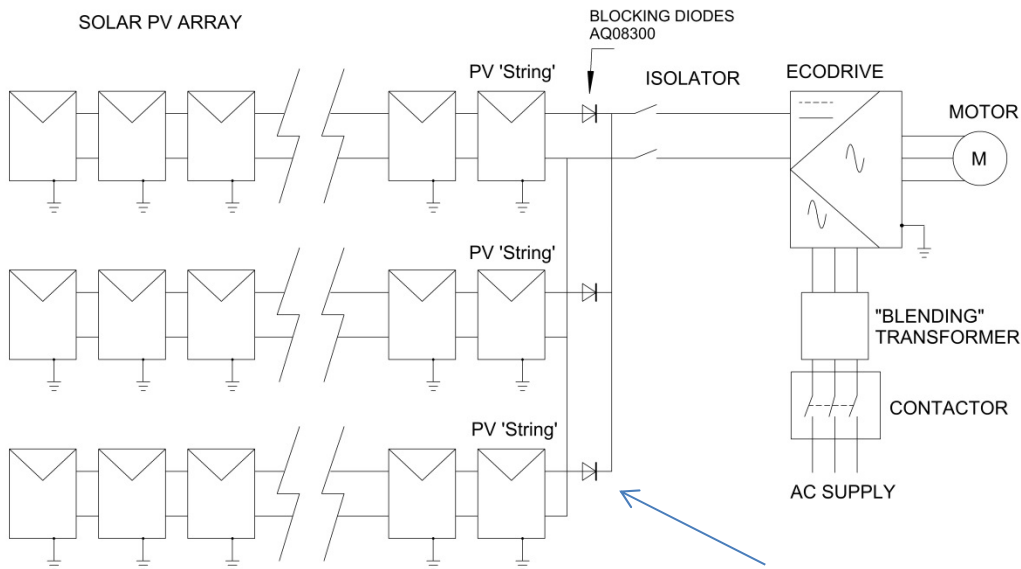
**Blocking Diode:**

**Ratings:**  
 AQ08300 1600VDC, 14Amps Continuous at 50°C  
 AS/NZ 5033: 10A Max. panel/string Isc @ STC  
 Dimensions in mm: 140(A), 57(B), 190(C)  
 AQ08301 1600VDC, 21Amps Continuous at 50°C  
 AS/NZ 5033: 15A Max. panel/string Isc @ STC  
 Dimensions in mm: 202(A), 122(B), 245(C)  
**Enclosure:** IP67 (connectors mated)



**Connectors:**

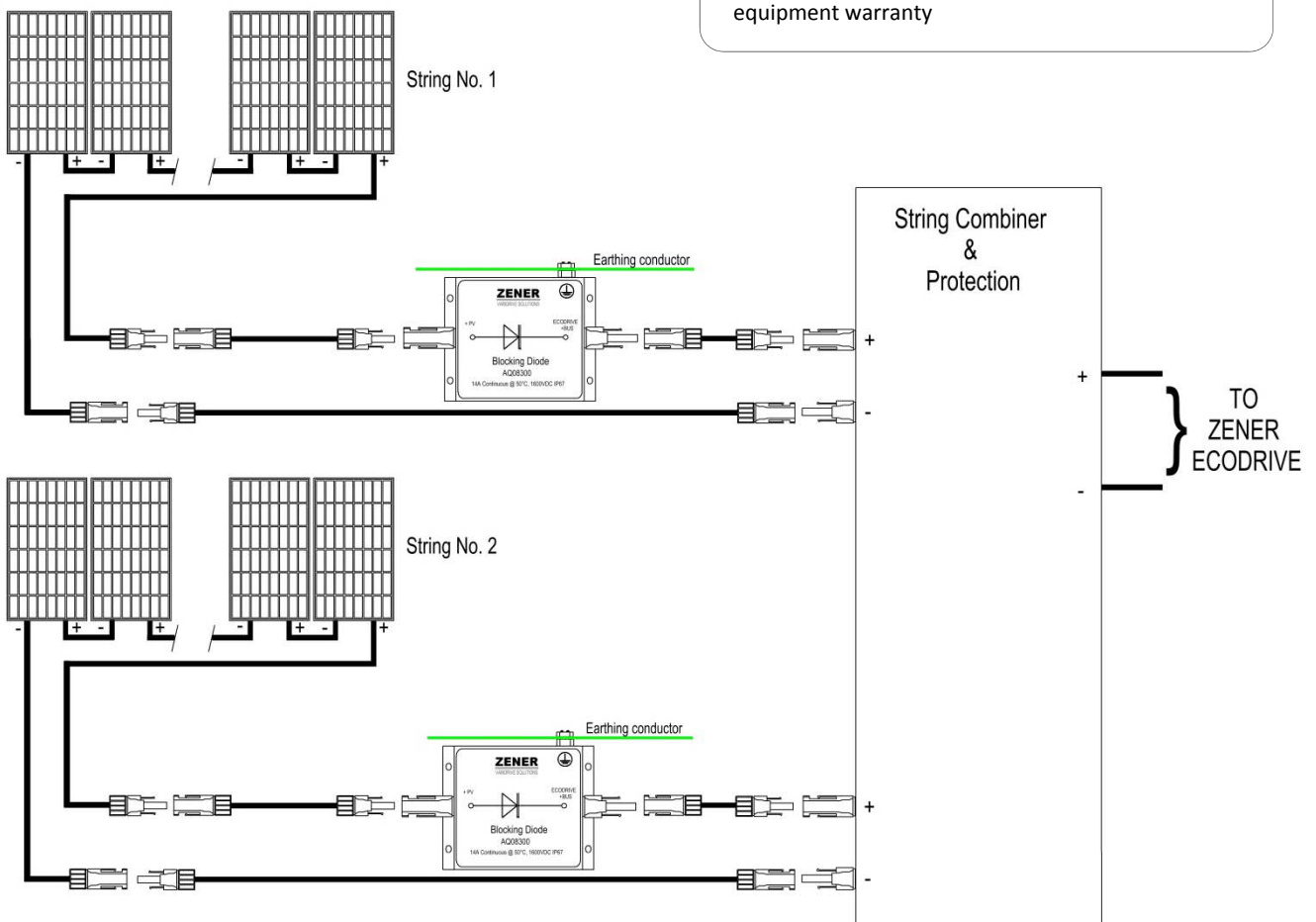
**Type:** Multi-connect MC4 6mm  
**Rating:** 1000VDC, 22.5Amp (2.5mm cable), 30Amp (4/6mm cable)  
**In line connector:** PV-KBT4/6I-UR & PV-KST4/6I-UR



**ZENER Blocking Diode Module installed on each string.**



Failure to install blocking diodes when required may result in equipment damage and will void any equipment warranty



**Diagram:** Blocking diode wiring for a 2x string solar array



**Installation Notes:**

- Refer to the ECODRIVE supplement manual IM00130 for details on installing & wiring the ECODRIVE 8000 and auxiliary equipment.
- The blocking diode(s) must be installed unenclosed and in a location away from direct sunlight or other heat sources. The blocking diode(s) should be installed on the framework of the PV array and behind the solar panel(s).
- The blocking diodes must be installed by a qualified & licenced electrical person with the required solar accreditations.
- The blocking diode enclosure must be properly earthed. Earth with a minimum conductor size of 4mm<sup>2</sup>
- It is the installer's responsibility to assure that all earthing connections are properly made and meet all local rules and regulations.
- Connections to the Blocking Diode must be made using the same brand/model connector (see specifications for details)

